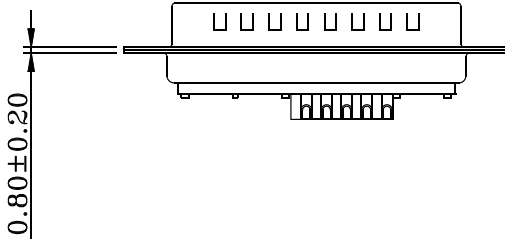
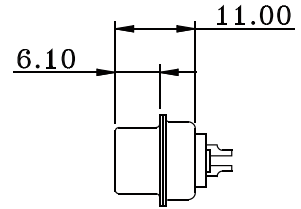
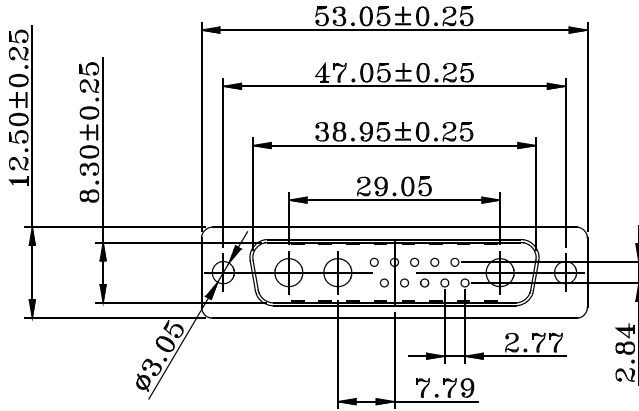
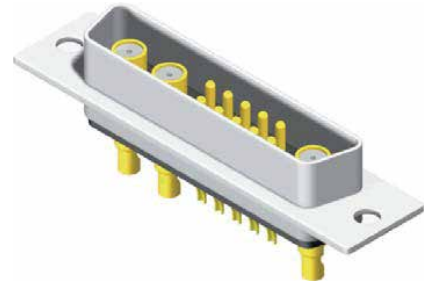
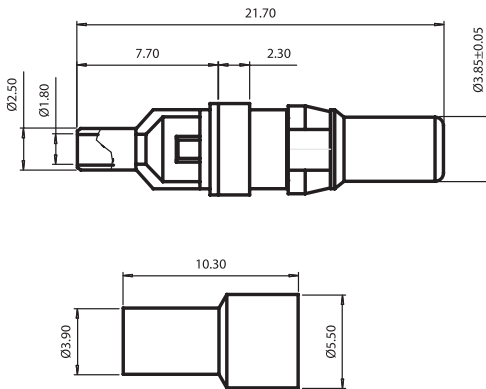


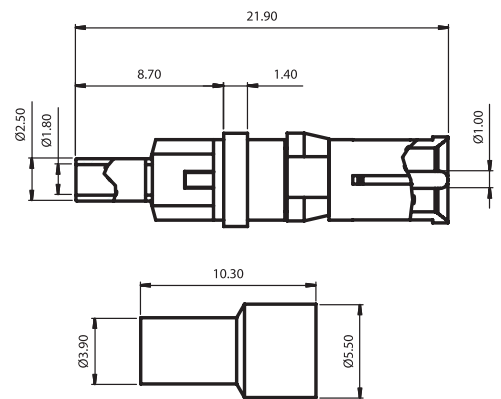
Coaxial Conn. Solder Type



MALE



FEMALE



Order Information

C
D
B
S
-
X
XWX
X
X

M: Male F: Female	Power contact plating G: Gold Flash GA: 5u" GF: 15u" GD: 30u"	Signal contact plating G: Gold Flash S: Selective GA: 5u" SA: 5u" GB: 10u" SB: 10u" GC: 20u" SC: 20u" GD: 30u" SD: 30u" T: Tin Plated	B: Black insulator T: Tin shell N: Nickel shell	A: Non accessories B: Front rivet #4-40 height=4.0 C: Rear rivet #4-40 height=4.0 D: Front rivet M3 height=4.0 E: Rear rivet M3 height=4.0 F: Rivet #4-40 ground stand-off on back shell height=6.0 G: Rivet #4-40 ground stand-off on back shell height=12.0	Performance 5: 50Ω 7: 75Ω	L: RoHS + P.B.T
----------------------	---	---	---	---	---------------------------------	-----------------